

# Product Change Notification

PCN10-11 HDT0001

---

**C&K Components**

15 Riverdale Ave, Newton MA 02458  
Tel: 617.969.3700 [www.ck-components.com](http://www.ck-components.com)

Document subject to change without prior notice  
Diffusion: no restriction



## Document revision

Revision	Date	Description	Author
A	10/12/11	Tolerance/Dimension change on HDT0001	Kyle Peterson

---

**C&K Components**

15 Riverdale Ave, Newton MA 02458  
Tel: 617.969.3700 [www.ck-components.com](http://www.ck-components.com)

Document subject to change without prior notice  
Diffusion: no restriction

## Summary

1. Purpose.....	4
2. Change definition .....	4
2.1 Part #'s affected .....	4
2.2 Reason for change .....	4
3. Change impact and qualification method.....	4
3.1 Impact of changes	
4. Acknowledgement.....	4
5. Support .....	4
Annex 1:Description of changes.....	5

---

### C&K Components

15 Riverdale Ave, Newton MA 02458  
Tel: 617.969.3700 [www.ck-components.com](http://www.ck-components.com)

Document subject to change without prior notice  
Diffusion: no restriction

## 1. Purpose

The purpose of this notice is to notify our customers that we have made a change to the dimension on C&K part # HDT0001.

## 2. Change definition

This change will allow for the terminals in the base of the switch to be moved closer to the PCB for better solder ability. (see annex)

### 2.1 Part #'s affected:

C&K part # HDT0001

### 2.2 Reason for change.

Customers have asked for this change which would provide better solder ability during manufacturing.

## 3. Change impact and qualification method

### 3.1 Impact of Changes

There will be no change to the form, fit, or function of the switch.

The manufacturing & quality processes, location and procedures also remain unchanged.

## 4. Acknowledgement

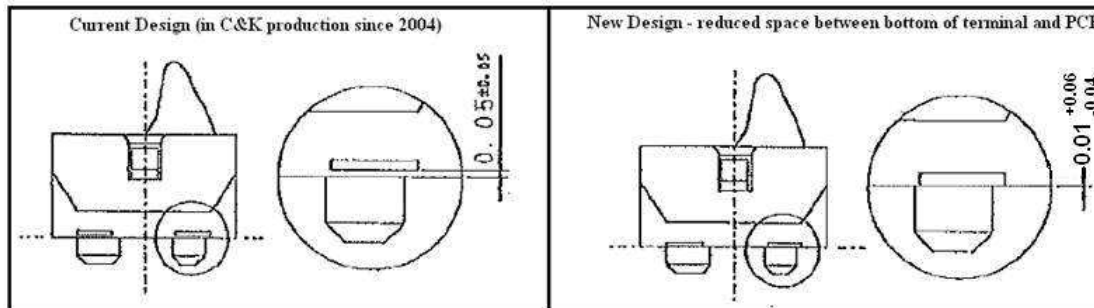
We recommend you acknowledge this PCN as well as request qualification samples needed through your Key Account Manager immediately.

## 5. Support

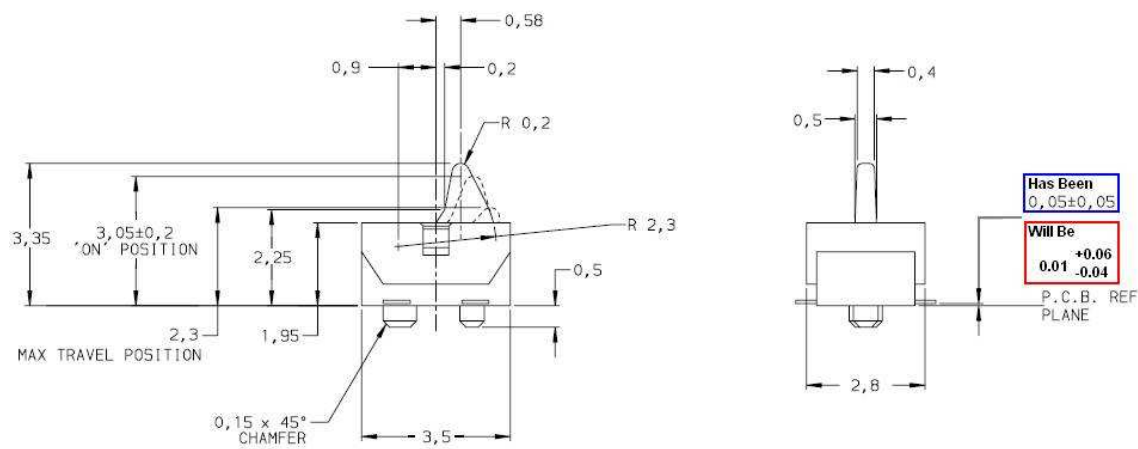
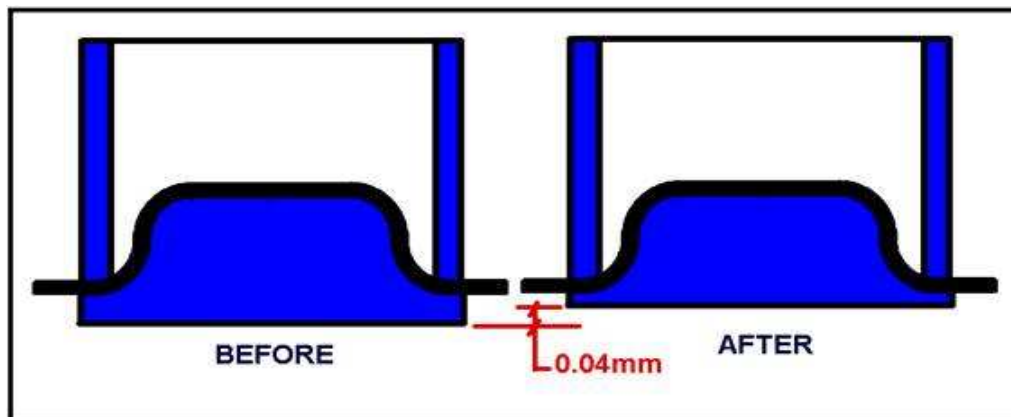
Please contact your local sales rep or the Worldwide Product Line Manager Kyle Peterson (Kyle.Peterson@coactive-tech.com)

**Annex 1:**

The Change:



Explanation of how this is being accomplished:



Note: C&K Drawing General Sheet Tolerance for this switch & custom number options will be changed from:  $\pm 0.3$  mm to  $\pm 0.2$  mm

**C&K Components**

15 Riverdale Ave, Newton MA 02458  
Tel: 617.969.3700 www.ck-components.com

Document subject to change without prior notice  
Diffusion: no restriction